

Convotherm C4EMT10.10C mini

10 x 1/1 GN Tray Electric Combination Oven Steamer

- Advanced Closed System – automatic moisture regulation, energy-efficient
- Requires minimum space – fits anywhere, saving expensive floor space
- EasyTouch 7" full touchscreen user interface
- ConvoClean system, fully automatic cleaning system with express mode
- Ethernet interface (LAN)
- Direct steam injection version
- Multi-point core temperature probe
- Vapour reduction
- Hand shower
- Right-hinged appliance door






Standard Features

- Press&Go – automatic cooking and baking using quick-select buttons
- easyStart – automatic cooking and baking using product suggestions
- Crisp&Tasty – 3 moisture removal settings
- BakePro – 3 levels of traditional baking
- Reduced fan speed and auto-reverse mode
- TrayTimer – oven-load management for different products at the same time
- Regenerate – flexible multi-mode retherm function
- ecoCooking – energy saving function
- Low-temperature cooking / Delta-T cooking
- Cook&Hold – cook and hold in one process
- Programmable with an unlimited number of cooking profiles, each with up to 99 steps and one image
- On-screen help
- Start-time preset
- Data storage for HACCP recording
- Preheat and cool down function
- Flexible shelf spacing
- USB port built into the control panel
- Door latch handle with sure-shut function

Options

- Exterior design in black on stainless steel
- Left-hinged appliance door

Cooking programmes

- | | | |
|--|-------------|---|
| Steaming | 30°C-120°C |  |
| • Guaranteed steam saturation - for steaming, stewing and poaching | | |
| Combi-steam | 100°C-250°C |  |
| • With automatic humidity adjustment - for roasting and baking | | |
| Convection | 30°C-250°C |  |
| • Optimised heat transfer - for grilling, quick roasting, baking, toasting and gratinating | | |

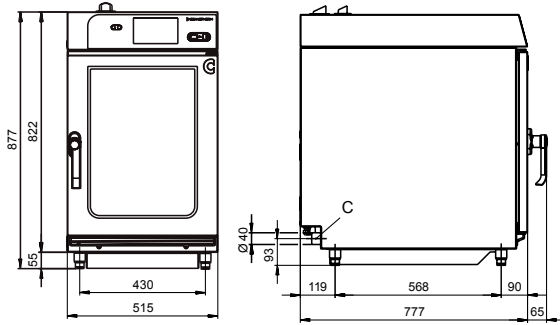
Optional Accessories

- Oven stand
- Wall bracket
- Stacking kits
- Condensation hood

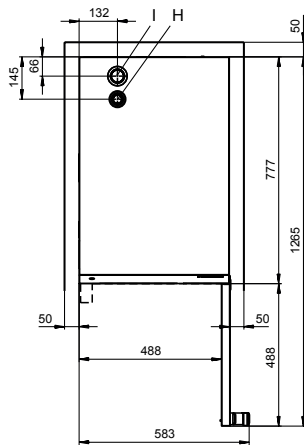
Convotherm C4EMT10.10C mini

10 x 1/1 GN Tray Electric Combination Oven Steamer

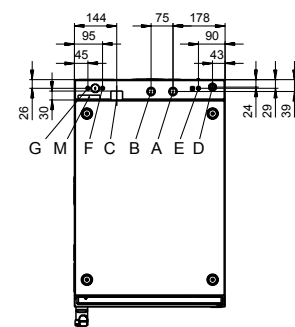
Front view



View from above with wall clearances



Connection positions in appliance floor



- A** Water supply connection (for water injection)
- B** Water supply injection (for cleaning)
- C** Drain connection DN 40
- D** Electrical connection
- E** Equipotential bonding
- F** Rinse aid connection
- G** Cleaning agent connection
- H** Air vent \varnothing 30 mm
- I** Ventilation port \varnothing 43 mm
- M** Safety overflow 60 mm x 20 mm

DIMENSIONS

Width	515 mm
Depth	777 mm
Height	877 mm
Weight	70 kg

PACKED DIMENSIONS

Width	580 mm
Depth	910 mm
Height	1065 mm
Weight (including cleaning system)	83 kg

Safety clearances

Rear	50 mm
Right	50 mm
Left	50 mm

(larger recommended for servicing)
Top (for ventilation) 500 mm

INSTALLATION REQUIREMENTS

Appliance must be installed level.
Do not install the appliance near, above or below a source of heat or near flammable surfaces

LOADING CAPACITY

Shelf distance	40 mm
GN 1/1 shelves (40 mm deep)	10

ELECTRICAL SUPPLY

3N~400-415V ~50/60Hz (3P+N+E)
Connected load 10.5 kW
Rated current 15.7 A
Fit main switch (all-pin-circuit-breaker) on site, in close proximity to the appliance. Connection for potential compensation.

WATER CONNECTION

Water supply
Cold water R3/4" 2 - 6 bar flow pressure
Fit water tap and dirt filter on site in close proximity to appliance. Backflow prevention valve (supplied)

WATER QUALITY

Drinking water
Overall hardness 70-125 ppl
Properties
pH 6.5 - 8.5
Cl⁻ (chloride) max. 60 mg/l
Cl₂ (free chlorine) max. 0.2 mg/l
SO₄²⁻ (sulphate) max. 150 mg/l
Fe (iron) max. 0.1 mg/l
Electrical conductivity min 20 μ S/cm

Water outlet

R40, fixed connection or funnel siphon

EMISSIONS

Heat output
Latent heat 1000 KJ/h
Sensible heat 1100 KJ/h
Noise during operation max. 70 dBA
Spray guard 1P x 4



Australia
moffat.com.au

New Zealand
moffat.co.nz

Australia
Moffat Pty Limited

Victoria/Tasmania
740 Springvale Road
Mulgrave, Victoria 3170
Ph 03-9518 3888
Fax 03-9518 3833
vsales@moffat.com.au
www.moffat.com.au

New South Wales
Ph 02-8833 4111
nswsales@moffat.com.au

South Australia
Ph 03-9518 3888
vsales@moffat.com.au

Queensland
Ph 07-3630 8600
qldsales@moffat.com.au

Western Australia
Ph 08-9413 2400
wasales@moffat.com.au

New Zealand
Moffat Limited

Christchurch
45 Illinois Drive
Izone Business Hub
Rolleston 7675
New Zealand
Telephone +64 3-983 6600
Facsimile +64 3-983 6660
sales@moffat.co.nz

Auckland
Ph +64 9-574 3150
sales@moffat.co.nz

In line with policy to continually develop and improve its products, Moffat Limited reserves the right to change specifications and design without notice.

© Copyright Moffat Ltd
AN.CON.S.1805

